



R4 SERIES

MODELS R4110-2, R4310A-2, R4310B-1

MAX. PRESSURE – 52"H₂O (60 Hz), 38"H₂O (50 Hz)

MAX. VACUUM – 48"H₂O (60 Hz), 35"H₂O (50 Hz)

MAX. AIR FLOW – 92 CFM (60 Hz), 75 CFM (50 Hz)



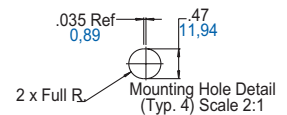
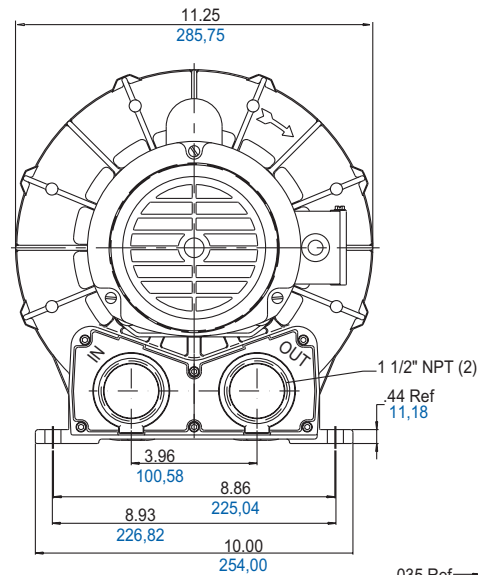
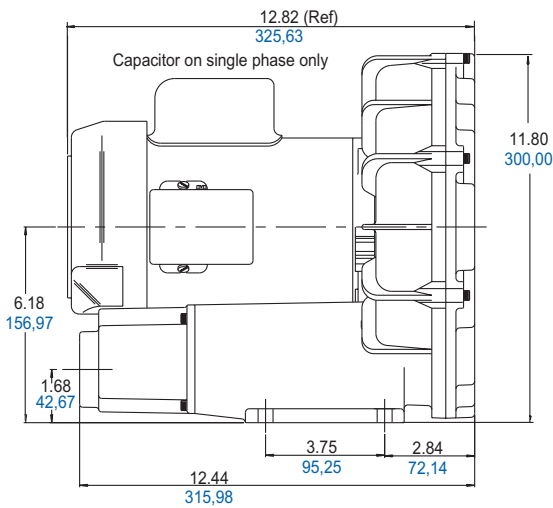
PRODUCT FEATURES

- Rugged construction, low maintenance
- Oilless operation
- UL and CSA approved TEFC motors with permanently sealed ball bearings
- Automatic restart thermal protection on single phase motors
- Aluminum blower housing, impeller and cover
- Can be operated with no air flow through unit
- Can be mounted in any plane
- Inlet and outlet have internal muffling

RECOMMENDED ACCESSORIES

- Pressure gauge AJ496
- Inlet filter AJ126D (pressure)
- Vacuum gauge AJ497
- Inline filter AJ151D (vacuum)
- Muffler AJ121D
- Relief valve AG258
- Liquid separator RMS160 (vacuum)
- Foam replacement kit K902

Product Dimensions (in. mm)





Product Specifications

MODEL NUMBER		R4110-2	R4310A-2	R4310B-1
Motor Enclosure		TEFC	TEFC	TEFC
HP/kW	60 Hz	1.0/0,75	1.0/0,75	1.0/0,75
	50 Hz	.6/0,45	.6/0,45	-
Voltage	60 Hz	115/208-230-1	208-230/460-3	575-3
	50 Hz	110/220-240-1	190-220/380-415-3	-
Amps	60 Hz	9.8/5.2-4.9	3.4-3.2/1.6	1.25
	50 Hz	9.0/4.5-5.7	2.6-3.3/1.3-1.4	-
Starting Amps	60 Hz	31.2 @ 230V	26.5 @ 230V	7.6
	50 Hz	34 @ 220V	28.4 @ 220V	-
Insulation Class		B	B	B
Recommended NEMA Starter Size		0/00	00/00	00
Net Weight (lbs/kg)		41/18,6	41/18,6	41/18,6

Product Performance

