

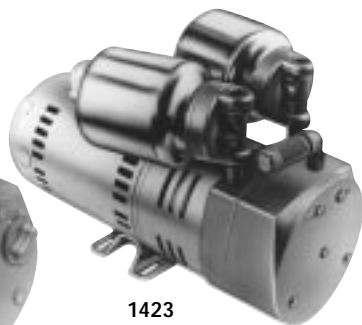


Motor Mounted Rotary Vane 3.2 to 13.5 cfm

Oiless 23 Series 0323, 0523, 0823, 1023, 1423 Models



0323/0523



1423
Dual Function

MODEL 0323 SERIES

25" HG MAX. VAC., 3.2 CFM OPEN FLOW
10 PSI MAX. PRESSURE, 3.2 CFM OPEN FLOW

MODEL 0523 SERIES

26" HG MAX. VAC., 4.5 CFM OPEN FLOW
10 PSI MAX. PRESSURE, 4.5 CFM OPEN FLOW

MODEL 0823 SERIES (Vacuum Model)

26" HG MAX. VAC., 8.0 CFM OPEN FLOW
10 PSI MAX. PRESSURE, 8.0 CFM OPEN FLOW

MODEL 1023 SERIES

26" HG MAX. VAC., 10.0 CFM OPEN FLOW
10 PSI MAX. PRESSURE, 10.0 CFM OPEN FLOW

MODEL 1423 SERIES

25" HG MAX. VAC., 13.2 CFM OPEN FLOW
10 PSI MAX. PRESSURE, 13.5 CFM OPEN FLOW

MODEL 1423 DUAL FUNCTION

Ideal for graphic arts applications where simultaneous vacuum and pressure are needed.

20" HG MAX. VAC. @ 3 PSI PRESSURE,
10.6 CFM OPEN FLOW

PRODUCT FEATURES

- Oilless operation
- Motor mounted
- Rugged construction/low maintenance
- Essentially pulse-free service

INCLUDES

- Thermotector (on Single Phase Units only)
- Internal muffler and filter
- External mufflers and filters (1423 Models)
- Silencer:
AK840A (0323)
AK840 (0523/0823/1023)
AC432 (1423 Single Function)
- Foot support assembly AC136 (0323/0523)

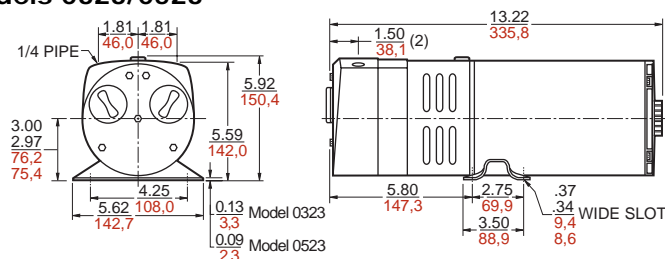
RECOMMENDED ACCESSORIES

- Vacuum relief valve AA207 (0323)
- Vacuum relief valve AA840A (0523/0823/1023/1423)
- Pressure relief valve AA600
- Vacuum gauge AA640
- Pressure gauge AA644B (Dual Function Units)
- Repair kit K478 (0323/0523)
- Repair kit K479 (0823/1023)
- Repair kit K575A (1423)

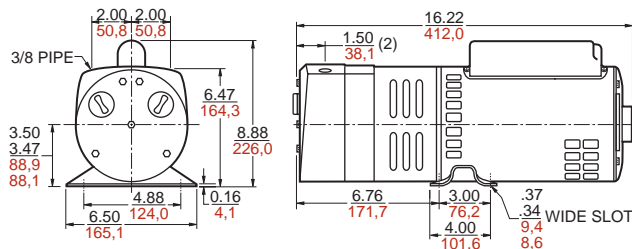
Product Dimensions (mm, inches)

Dimensions are for reference only.

Models 0323/0523

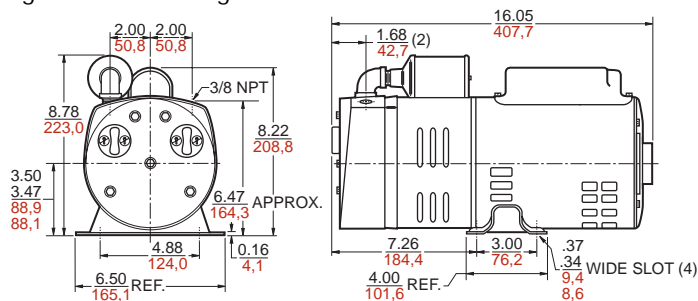


Models 0823/1023

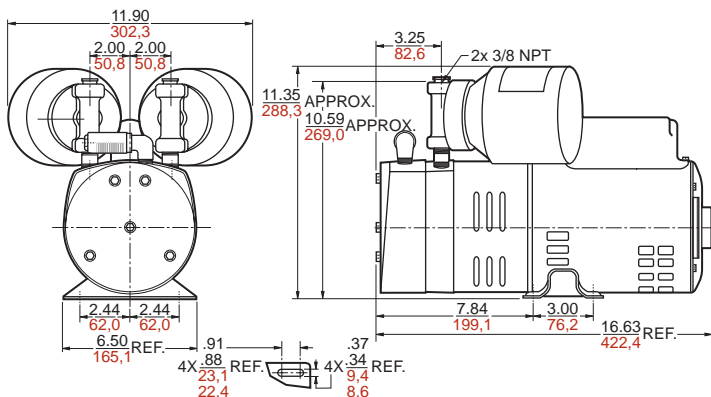


Model 1423

Single Function – Single Phase Motor



Dual Function – Single Phase Motor



Product Specifications

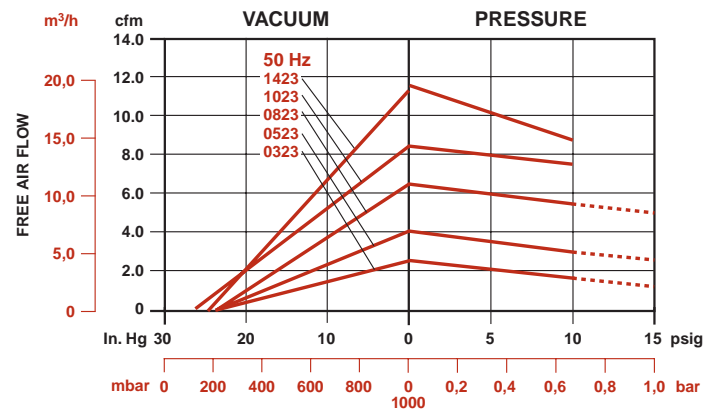
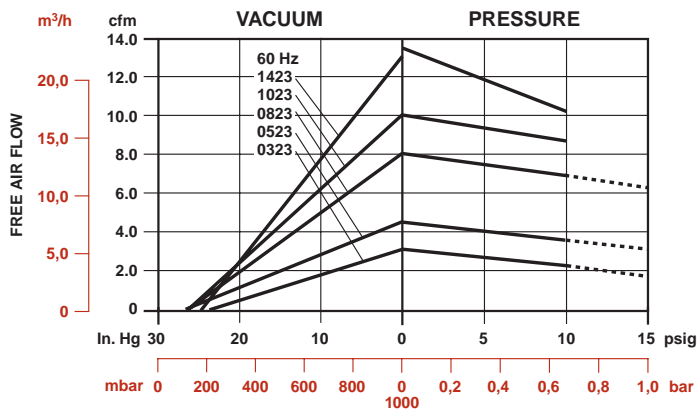
Note: Models listed below are single function compressors or vacuum pumps except for D101Q models, which are dual function.

Model Number	Motor	RPM		HP	kW	Thermotector	Foot Assy.	Net Wt.	
		60 cycle	50 cycle					lbs.	kg
0323-101Q-G582DX	100-110/100-115-50/60-1	1725	1425	1/3	0,25	•	•	31	14,0
0523-101Q-G582DX	100-110/100-115-50/60-1	1725	1425	1/3	0,25	•	•	30	13,5
0523-101Q-G21DX	220-50-1	—	1425	1/4	0,19	•	•	30	13,5
0523-101Q-G314DX	230-60-1	1725	—	1/4	0,19	•	•	30	13,5
0523-703Q-ER32X*	110-120/220-240-50/60-1	—	1425	1/4	0,19	•	•	32	14,4
0523-703Q-ER29*	220/250-380/420-50/60-3	1725	1425	1/4	0,19	•	•	33	14,9
0823-101Q-G608X	100-110/220-240; 100-115/208-230-50/60-1	1725	1425	3/4	0,56	•		47	21,2
0823-101Q-G279	208-220/440-60/50-3	1725	1425	3/4	0,56			52	23,4
1023-101Q-G608X	100-110/220-240; 100-115/208-230-50/60-1	1725	1425	3/4	0,56	•		47	21,2
1023-101Q-G279	208-220/440-50/60-3	1725	1425	3/4	0,56			52	23,4
1023-703Q-ER56X*	110-120/220-240-50/60-1	—	1425	3/4	0,56	•		52	23,4
1023-703Q-ER76*	220/240-380/420-50/60-3	1725	1425	3/4	0,56			51	23,0
1023-703Q-ER80*	220-240/380-440-50/60-3	1725	1425	3/4	0,56			48	21,6
1423-101Q-G626X	100-110/200-220-240; 100-115/200-208-230-50/60-1	1725	1425	1	0,75	•		53	23,9
1423-101Q-G625	220-240-380-415; 230/460-50/60-3	1725	1425	1	0,75			53	23,9
1423-D101Q-G626X	100-110/200-220-240; 100-115/200-208-230-50/60-1	1725	1425	1	0,75	•		63	28,4
1423-D101Q-G625	220-240-380-415; 230/460-50/60-3	1725	1425	1	0,75			65	29,3

*Available only in Europe.

Product Performance (Metric, U.S.)

Single Function Models



Dual Function 1423

